



## M VESA Flip Down

- ar والبلازما TFT و LCD حامل التركيب على الجدار لشاشات
- dk Vægbeslag til LCD-skærm, TFT-skærm og plasmaskærm
- de Wandhalterung für LCD-, TFT- und Plasma-Geräte
- el Βραχίονας Τοίχου για οθόνες LCD, TFT και
- en Wall Bracket for LCD, TFT and Plasma
- es Soporte de pared para LCD, TFT y Plasma
- fi Seinäkiinnike LCD-, TFT- ja plasmanäytöille
- fr Support mural pour écrans LCD, TFT et plasma
- it Staffa per il montaggio a parete di LCD, TFT e plasma
- no Veggbrakett for LCD, TFT og plasma
- pl Uchwyt ścienny do monitora LCD, TFT i plazmowego
- ru Стенной кронштейн для ЖК, плазменного телевизора или TFT
- se Väggfäste för LCD-, TFT- och plasmaskärm
- tr LCD, TFT ve Plazma Duvar Desteği
- zh LCD, TFT 和等离子电视的壁上支架



**مهم!**  
قبل تثبيت البلازما أو LCD أو التلفاز أو جهاز العرض أو شاشة جهاز العرض أو أجهزة واي فاي الأخرى أجهزة ذات قيمة عالية، تأكدت الترتيب مرتبة، ثم لا تأخذ حذراً شاشة التلفاز أو التلفاز أو الأحيادية.  
تأكدت بالذات من أن حذراً شاشة واي فاي الأخرى.  
هذه عدم المتكافؤ بأي طريقة من ترتيب تركيب هذه المنتجات، يرجى استشارة الفني المتخصص.



**VIGTIGT!**  
Din plasmaskærm, LCD-skærm, tv, projektor, projektorsskærm eller andet HiFi-udstyr repræsenterer en betydelig værdi.  
Hvis der medfølger skruer, passer de muligvis ikke til materialet i væggen, loftet eller gulvet.  
Udskift skruerne med passende skruer, hvis det er nødvendigt.



**ACHTUNG!**  
Ihr Plasma-, LCD-, TV-Gerät, Ihr Projektor, Ihre Leinwand oder sonstige HiFi-Ausrüstung stellt einen beträchtlichen Wert dar.  
Die möglicherweise im Lieferumfang enthaltenen Schrauben sind unter Umständen nicht für das Material Ihrer Wände, Decken oder Böden geeignet.  
Ersetzen Sie sie bei Bedarf durch geeignete Schrauben.



**ΣΗΜΑΝΤΙΚΟ!**  
Οι τηλεοράσεις Plasma, LCD, οι κωνοειδείς ηχοεξαρτάσεις, οι οθόνες προβολών ή άλλες συσκευές HiFi έχουν μία αξιοσημείωτη αξία.  
Αν περιλαμβάνονται βίδες ή αλυσάκια για το υλικό του τοίχου, του ταβανιού ή του πατωμάτος σας.  
Αντικαταστήστε τις βίδες με κατάλληλες αν είναι απαραίτητο.



**IMPORTANT!**  
Your Plasma, LCD, TV, Projector, Projector Screen or other HiFi equipment represents a considerable value.  
If screws are included they may not be suitable for the material of your wall, ceiling or floor.  
Replace the screws with suitable ones if needed.



**ÖNEMLİ!**  
Plazma, LCD, TV, Projektör, Projektör Ekranınız veya diğer HiFi cihazınız son derece değerlidir.  
Birlikte verilen vidalar duvar, tavan veya diğer malzemelerin uygun olmayabilir.  
Gerekliğinde vidaları uygun olanlarla değiştirin.



**重要提示!**  
您的等离子、LCD、TV、投影机、投影机屏幕或其他 HiFi 设备都有着不菲的价值。  
如果附带螺钉，它们可能不适合您的墙壁、天花板或地板。  
如果需要，请将螺钉更换为适当的型号。



**WARRANTY CARD**

**MULTIBRACKETS™ Limited Warranty**  
Multibrackets warrants its products to be free of defects in material and workmanship for the product's Warranty Period. The Warranty Period commences on the original purchase date of the product.

All Multibrackets products are covered by a limited product warranty:

- FIVE (5) years for metal video monitor mounts; all racks and non-electrical rack accessories
- ONE (1) year for all motorized and/or automated products, plastic speaker mounts; all speaker stands; all furniture; all wood (MDF) accessories

For warranty claims made during the Warranty Period, MULTIBRACKETS will replace any defective product part free of charge. Should a part on your Multibrackets product fail, please create an RMA case on [www.multibrackets.com/support](http://www.multibrackets.com/support) to make a warranty claim. We will await your documentation and then discuss the problem with you and once we confirm the product is under warranty, we will ship replacement parts to you. This Limited Warranty does not cover the costs of removing and replacing defective parts from your Multibrackets product. So, if your problem requires a repair technician, you must pay any labor charges.

This Limited Warranty extends only to the original purchaser of the product and is automatically void if your Multibrackets product is modified in any way, improperly installed, taxed beyond its stated weight capacity or otherwise misused or abused. All Multibrackets products are intended for indoor use only and any

outdoor use voids this Limited Warranty. The Limited Warranty for wall and ceiling mounts is void if the mount is moved from its initial installation. To the maximum extent permitted by applicable law, Multibrackets disclaims any other warranties, express or implied, including warranties of fitness for a particular purpose and warranties of merchantability. Multibrackets will not be liable for any damages whatsoever arising out of the use or inability to use its products, even if Multibrackets has been advised of the possibility of such damages. To the maximum extent permitted by applicable law, Multibrackets disclaims any responsibility for incidental or consequential damages.

Multibrackets™ Stockholm Sweden 2014, [www.multibrackets.com](http://www.multibrackets.com)



**Warning!**  
Always check the depth of the holes before starting an installation.  
تحذير!  
التأكد دائما من عمق الثقوب قبل أن تبدأ أي عملية التركيب.

**ADVARSEL!**  
Kontroller altid hullernes dybde, før du går i gang med en installation.  
**VARNING!**  
Vor Beginn des Einbaus immer die Tiefe der Bohrungen überprüfen.

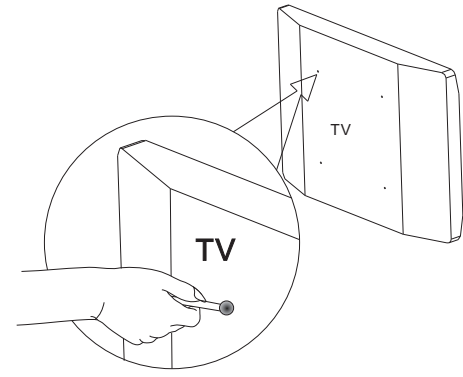
**ΠΡΕΙΔΟΠΟΙΗΣΗ!**  
Ελέγχετε πάντοτε το βάθος των οπών προτού ξεκινήσετε την εγκατάσταση.  
**VAROITUS!**  
Selvitsä rakkien syvyyden ennen asentamisen aloittamista.

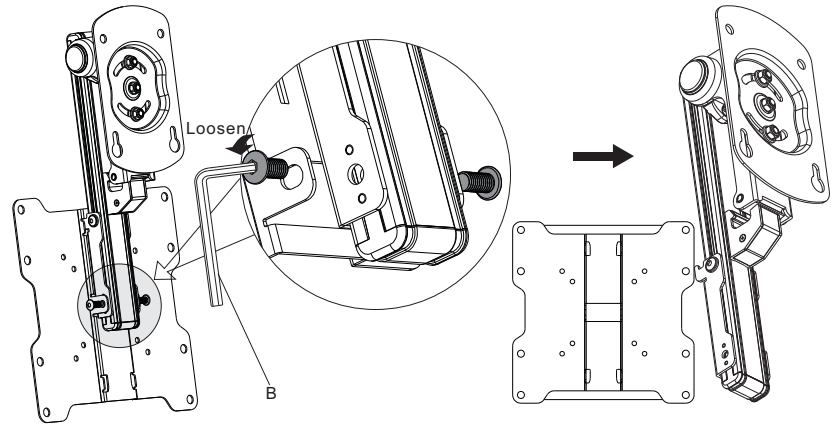
**ATTENTION!**  
Vérifiez toujours la profondeur des trous avant de commencer l'installation.  
**AVVERTIMENTO!**  
Verificare sempre la profondità dei fori prima dell'installazione.

**OSTRZEŻENIE!**  
Sprawdź zawsze głębokość otworów, zanim rozpoczniesz montaż.  
**ПРЕДУПРЕЖДЕНИЕ!**  
Перед установкой всегда проверяйте глубину отверстия.

**VARNING!**  
Kontrollera alltid hållens djup innan en installation påbörjas.  
**UVRAR!**  
Montaaj baqilamadan önce daima deliklerin derinligini kontrol edin.

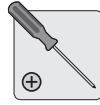
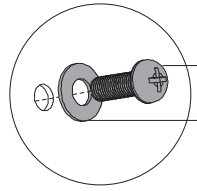
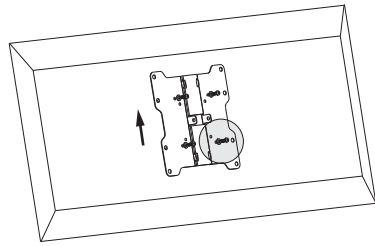
**警告!**  
開始前在开始安装前检查孔洞的深度。



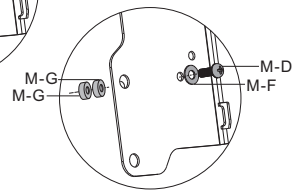
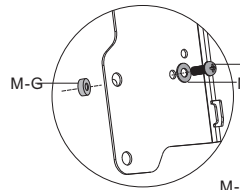
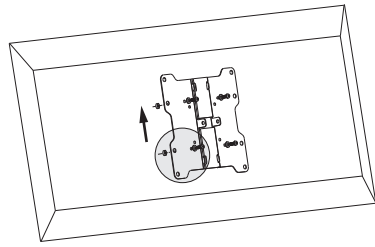



2

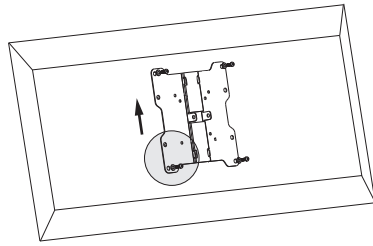
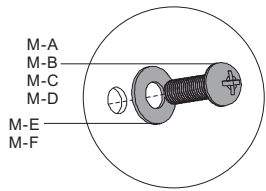
100x100 VESA



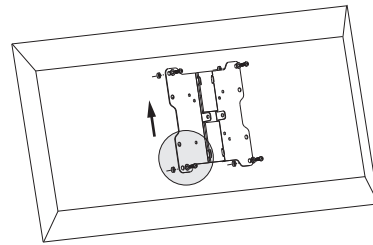
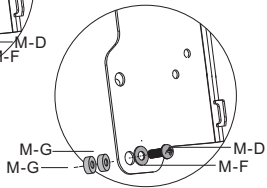
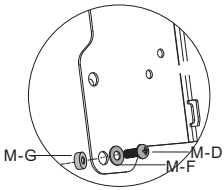
or



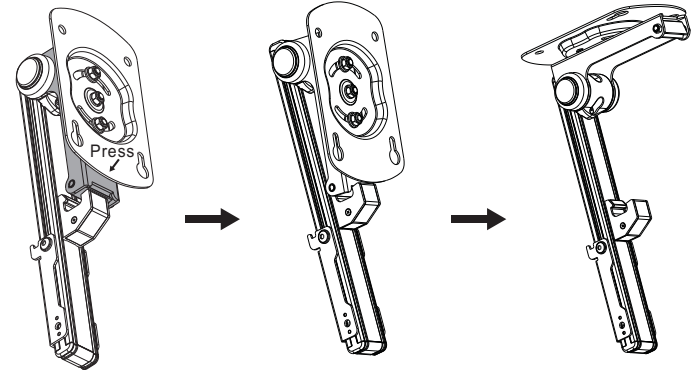
200x200 VESA



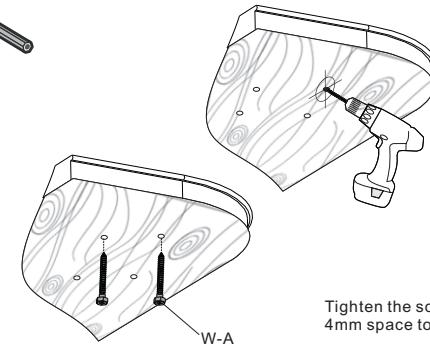
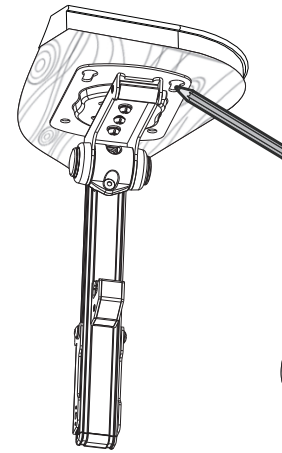
or



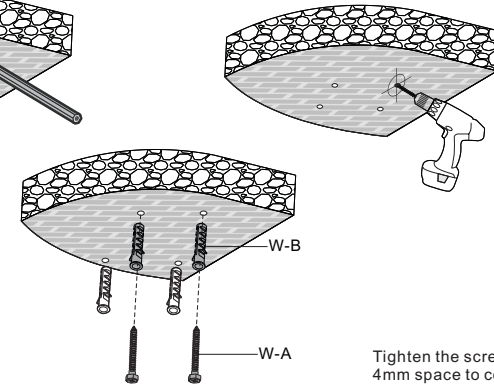
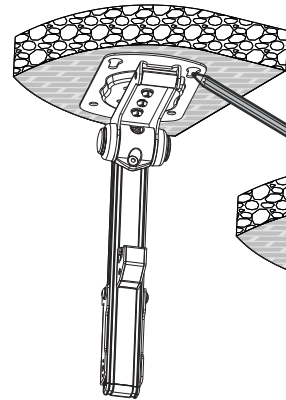
3



4a

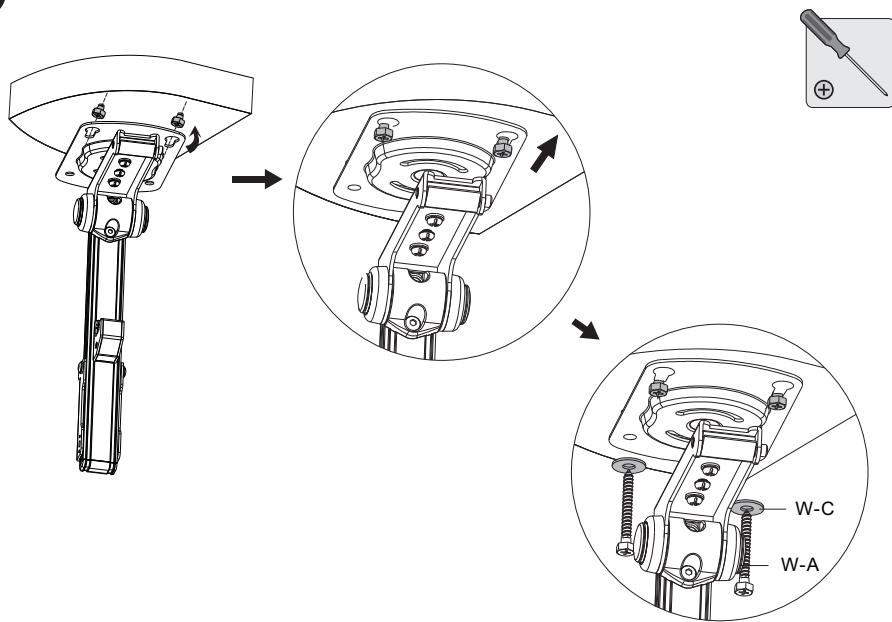


Tighten the screw leaving a 4mm space to ceiling.

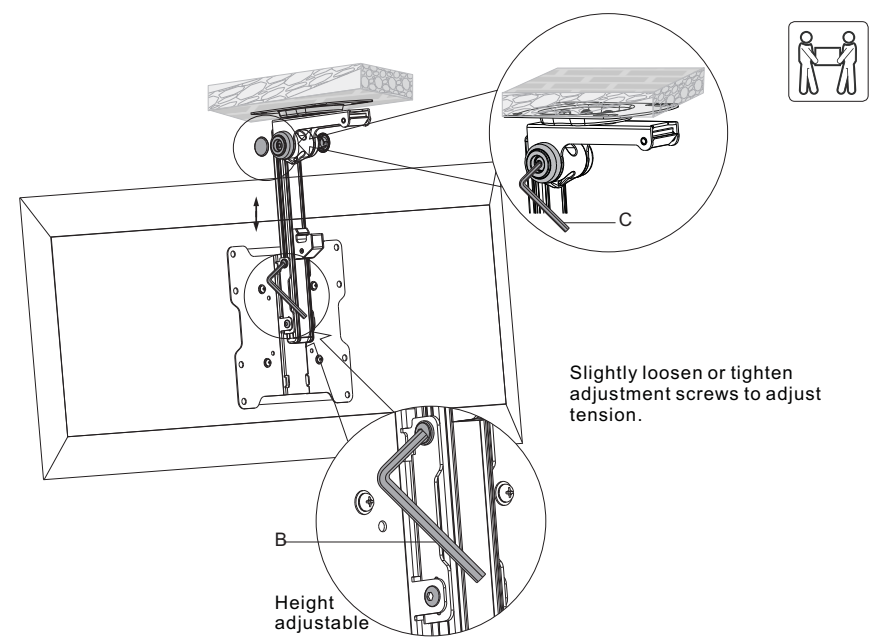


Tighten the screw leaving a 4mm space to ceiling.

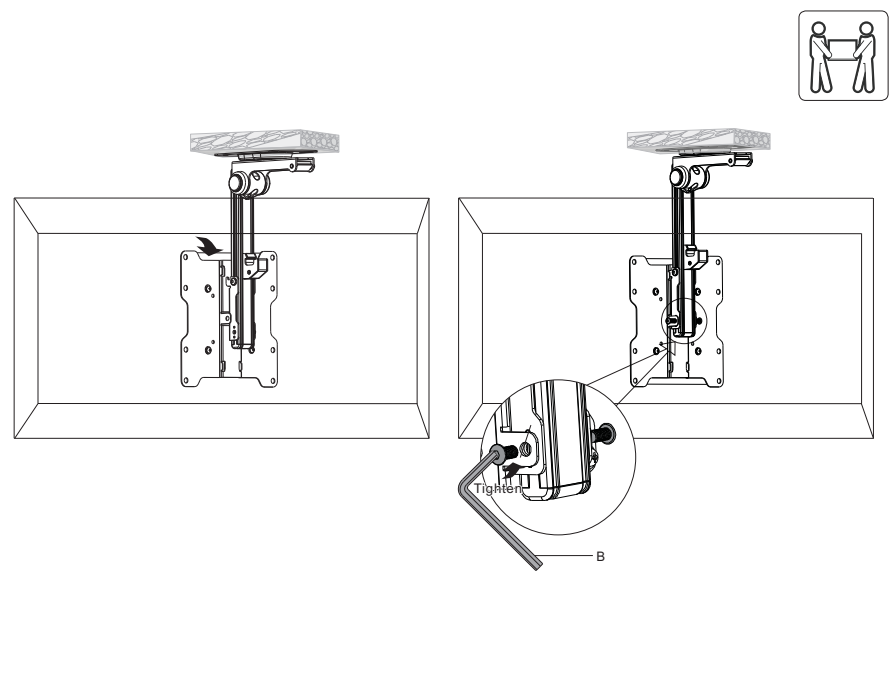
4b



6



5



7

