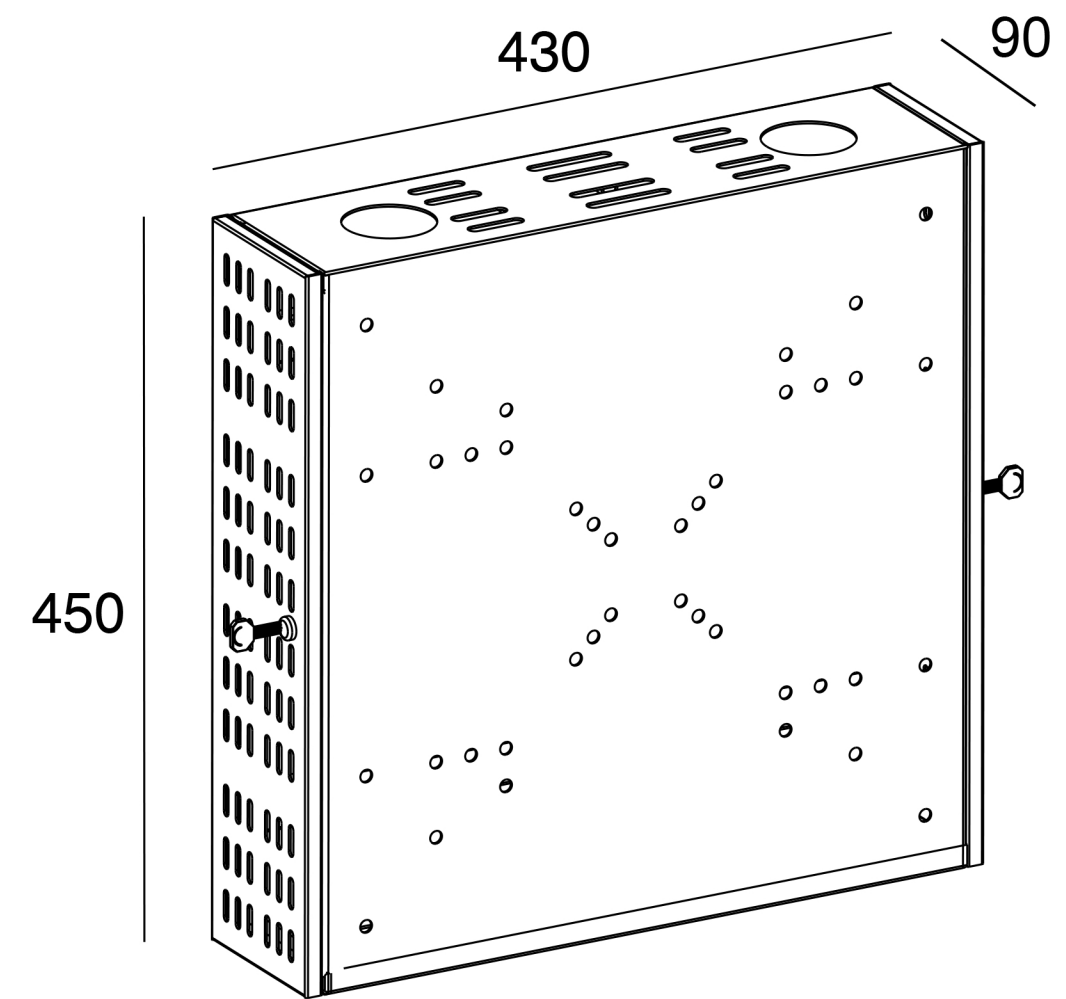


outside size



inside size

