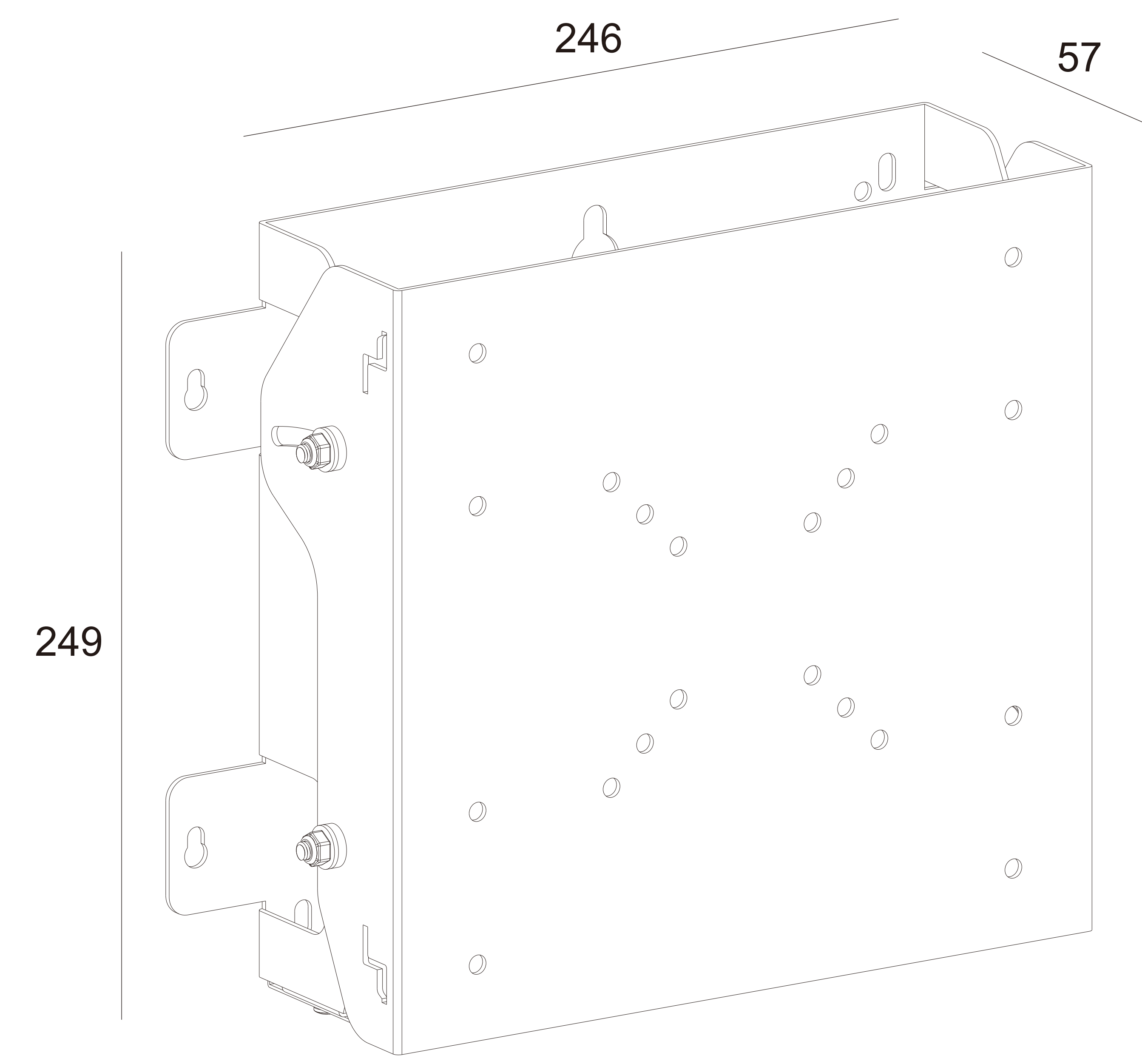


inside size



outside size

