

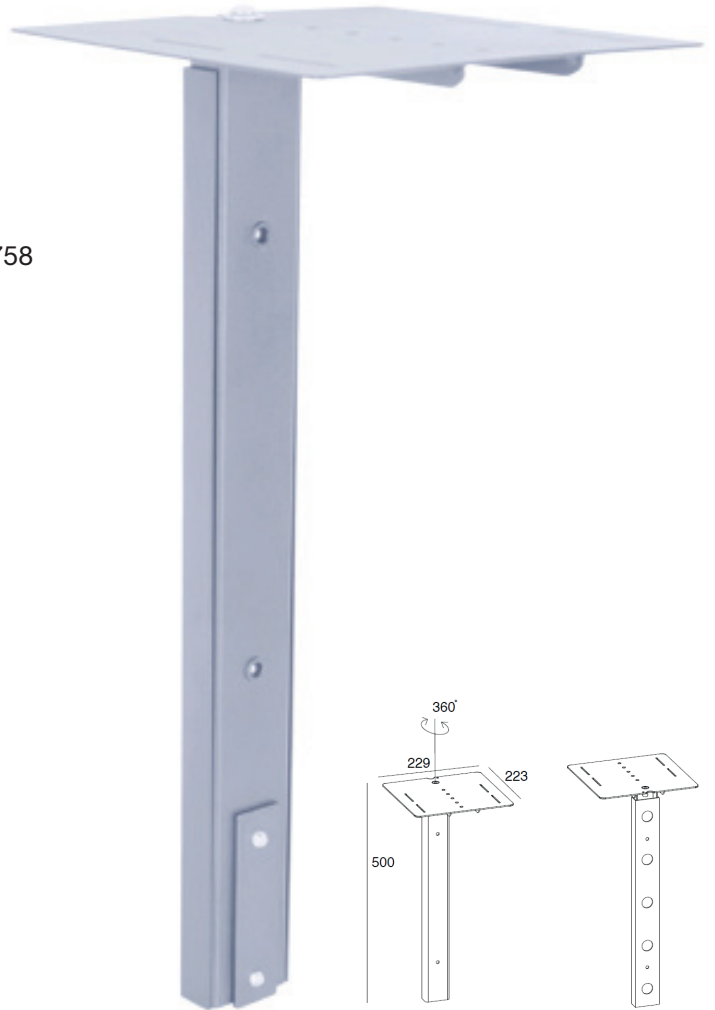


Ready when you are.

# M Public Display Camera Holder HD

Art No: Silver 7 350 022 739 741, Black 7 350 022 739 758

This shelf is designed as a videoconference camera shelf that installs easily on the M Public Display Stand series. This shelf includes a center slot for securing the videoconferencing camera, which is ideal for the M Public Display Stand Series where there is a greater chance of movement and/or possible damage to camera. The pillar of the camera shelf is easy adjustable and can be placed in any ideal height. The shelf also features four holes for securing the camera to the shelf with ease.



## SPECIFICATIONS

M Public Display Stand Camera Holder HD	
For:	Web camera
Feature:	Heavy duty camera holder
Material:	Steel
EAN: Silver, Black	7 350 022 739 741, 7 350 022 739 758
Size in mm: (WxDxH)	229x223x500mm
Adjustable height:	Yes, within the pillar
Weight:	2 kg
Colour:	Silver
Max load:	10 kg
Warranty:	5 years
Package size:	430x525x200 mm

