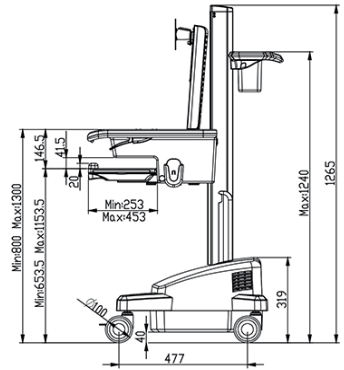




Ready when you are.



M Universal Workstation Cart DT/ UPS

Art No: 7 350 073 730 964

Multibrackets unique carts fits most notebooks and personal computer displays on the market. Multibrackets carts are space efficient, light weight and easy to maneuver in tight areas. Examples of places where it might be extra suitable is in a patient, emergency & operating rooms, labs, radiology, nurse stations – or wherever patient data or a maneuverable workstation might be in need. 475x475x302 base makes the carts

very easy to maneuver in tight areas. With its 31kg on high quality and silicon covered castors moving it around is a breeze. As all the units contact surfaces are finished with anti microbial materials delivering an ultra smooth & safe surface it is especially suitable at patient rooms, emergency & operating rooms, labs, radiology, nurse stations etc.

SPECIFICATIONS

M Universal Workstation Cart DT/ UPS

For screen size:	Up to 27"
Feature:	Highly customizable and bacteria free work surfaces
VESA:	75x75, 100x100
EAN:	7 350 073 730 964
Product materials:	Plastic/ Steel/ Silicone
CPU compartment:	425x325x100mm
Unit Size:	549x727x1265 (WxDxH)
Base Size:	475x475x302 (WxDxH)
Adjustable height/ Tilt:	130mm height adjustable by rail
Tilt adjustable:	-5 to +25 degrees
Pillar adjustability:	500mm up and down
Max load screen:	8 kg
Weight:	69.5 kg

Color:	Silver and white
Shelf:	Extra shelf optional
Power:	Built in battery pack/UPS. Built in USB fan for better circulation
Package size:	W800xD640xH1450 mm
Keyboard tray:	Yes
Mouse tray:	Yes
Scanner holder:	Yes
Key lock:	Yes to CPU compartment
Castors/ Wheels:	Included, 2 front is lockable
Mount to floor:	No
Warranty:	1 year

