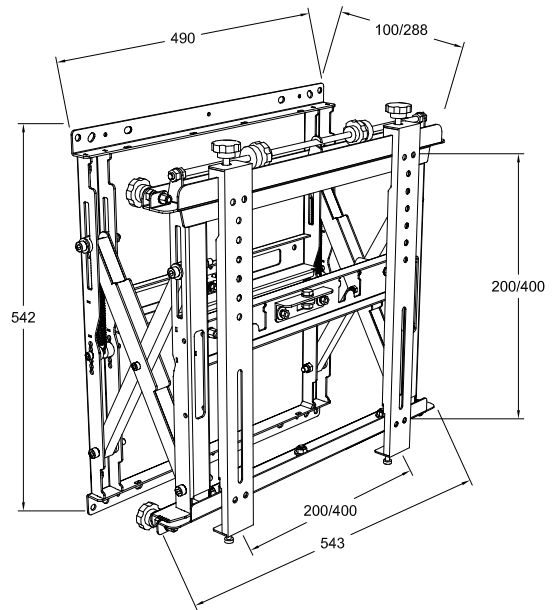




Ready when you are.



M Video Wall Push Max 90kg

Art No: 7 350 073 731 749

The M Video Wall Push Max 90kg especially made for Samsung screens 95c and 85c might just be one of the markets most innovative and easy to install video wall mounts available. The "Pop out" feature gives easy-access to any display for quick serviceability. Simply push against the screen to release the lock, then the screen will pop out, you do not need to remove any other screens to access a center screen

for maintenance or when placed in recessed areas. With the built in fine tune adjustments each of the M Video Wall Push Max 90kg can be adjusted individually to match "its neighboring screens". By 8 knobs the screens can be adjusted in depth, side and height. The M Video Wall Push Max 90kg is an iron structure with epoxy painting, holding screens up to 50kg in "pop outed" position.

SPECIFICATIONS

M Video Wall Push Max 90kg	
For screen size:	50 - 95"
Article No:	7 350 073 731 749
VESA standard:	200 x 200, 300 x 200, 300 x 300, 400 x 200, 400 x 400
By adapter kit:	up to 900 x 600 VESA Standard
Colour:	Black
Max load:	90 kg
Weight:	11 kg
Size in mm:	760x460
Warranty:	2 years

